

CETOP SUBPLATES WITH RELIEF VALVE

TYPE
VMP CETOP



USE AND OPERATION:

The relief valve with CETOP flange, provides over-load protection. When it reaches pressure setting, the valve opens allowing pressure relief in order not to exceed this setting.

MATERIALS AND FEATURES:

Body: zinc-plated steel or aluminum.
Internal parts: hardened and ground steel.
Seals: BUNA N standard.
Poppet type: minor leakage.

CONNECTIONS:

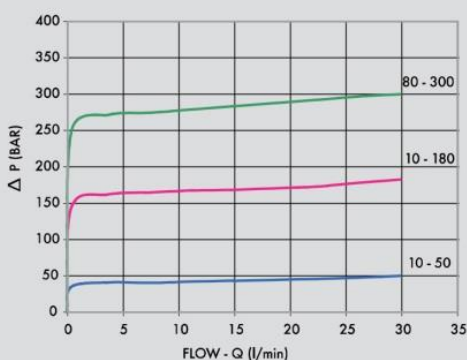
Connect circuit port with pressure to P and tank port to T. Port P is reversible.

ON REQUEST

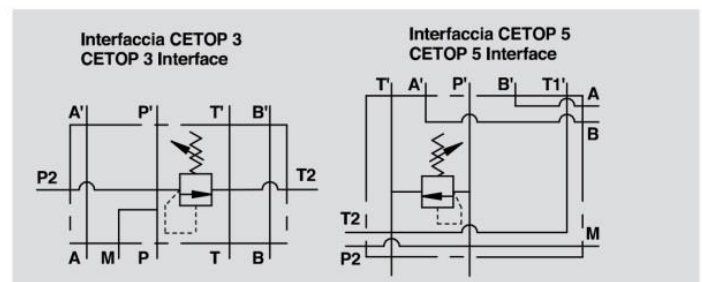
- different setting range (see the table)
- other setting available (CODE/T000 please specify the desired setting)

Temperatura olio: 50°C - Viscosità olio: 30 cSt
Oil temperature: 50° C - Oil viscosity: 30 cSt

PRESSURE / FLOW



HYDRAULIC DIAGRAM



CODICE
CODE

SIGLA
TYPE

PORTATA MAX
MAX FLOW
L

PRESSIONE MAX
MAX PRESSURE
Bar

BS030/000*

VMP NG6 CETOP 3

40

300

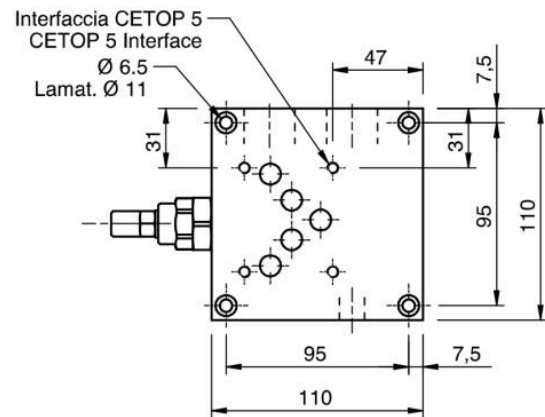
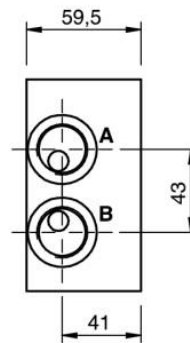
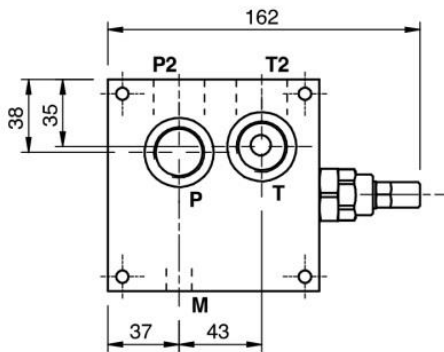
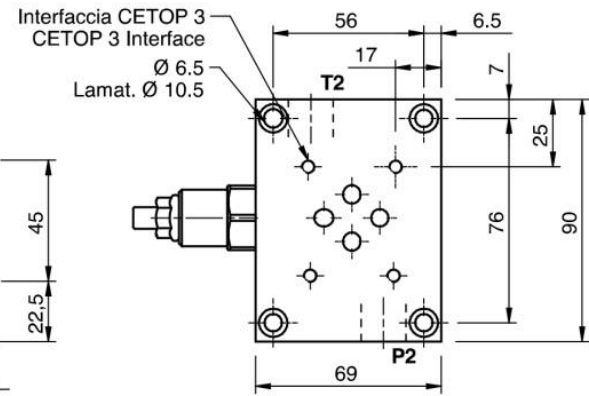
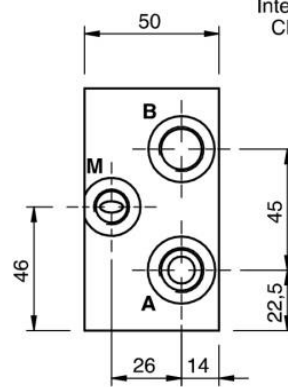
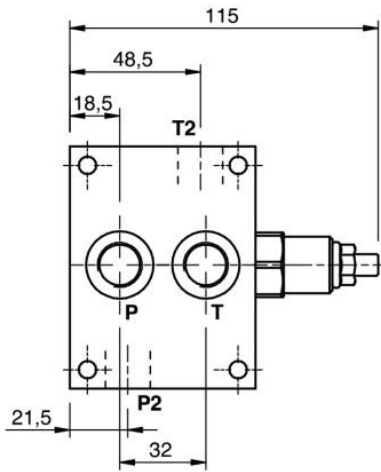
BS050/000*

VMP NG10 CETOP 5

100

300

*000 = specificare valore della molla desiderata. Vedi tabella sotto.
*000 = please specify the desired setting range. See the table below.



CODICE
CODE

SIGLA
TYPE

ABPT
GAS

M
GAS

MAT

PESO/
WEIGHT
Kg

BS030/000*

VMP NG6 CETOP 3

G 3/8"

G 1/4"

STEEL

2,062

BS050/000*

VMP NG10 CETOP 5

G 3/4"

G 1/4"

ALU

1,891